

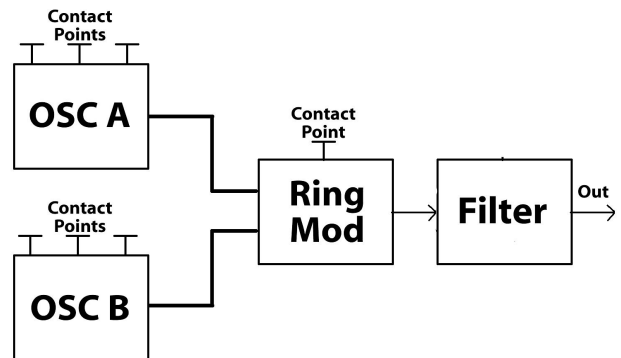
The Weevil is built around two simple & lofi squarewave oscillators. These oscs are made out of digital chips but implemented in a very analogue manner. By using digital chips we can easily add a second circuit block to combine the two waveforms using an XNOR gate, a process that sounds very much like ring modulation. A similar circuit has actually been used in cymbal synthesizers, but in this case it is preferred to let out the full voice of the circuit. A powerful little low-pass filter has been added before the output to tame the high-energy-high-frequencies.

The copper contact plates on top of the Weevil, combined with the extremes offered by the low power circuitry, create a unique playing interface that requires experimentation. Some Weevils also come fitted with an internal amplifier and speaker for on the move noise making.

Oscillators: Each osc has a pitch dial and a two-way pitch range switch giving a range from sub-audio clicks, through squarewave tones and up into supra-frequencies.

Low Power Dial: This knob places a resistance across the battery power supply, simulating the battery running out of juice and causing the circuit to spit out malfunctions. Fully clockwise gives full power supply.

Power: Ensure the battery is fitted correctly before switching on the power. This device is battery only and should not be used with other power supplies.



Output: The internal speaker (if fitted) is switched on when no jack plug is inserted in the output socket. Inserting a mono 1/4" jack plug disconnects the speaker (and turns off the circuit so it doesn't take power). *!The jack output can be loud so start with the level down!*

Body Contact Plates: The response of these copper plates depends on how moist your fingers are - try licking your fingertips – and how hard you press (governing how large an area of contact you are making). Plates often function in conjunction with others – try combinations.

- **Plates A & Plates B:** Each oscillator has three contact points – bridging between plates will cause various modulations of the oscillator pitches.
- **Plates G:** The circuit ground connection - bridging between an oscillator and this plate will generally lower the pitch.
- **Plate R:** The ring-mod output. Connecting this back into the oscillators can make things go haywire causing canceling and cross-modulation.

